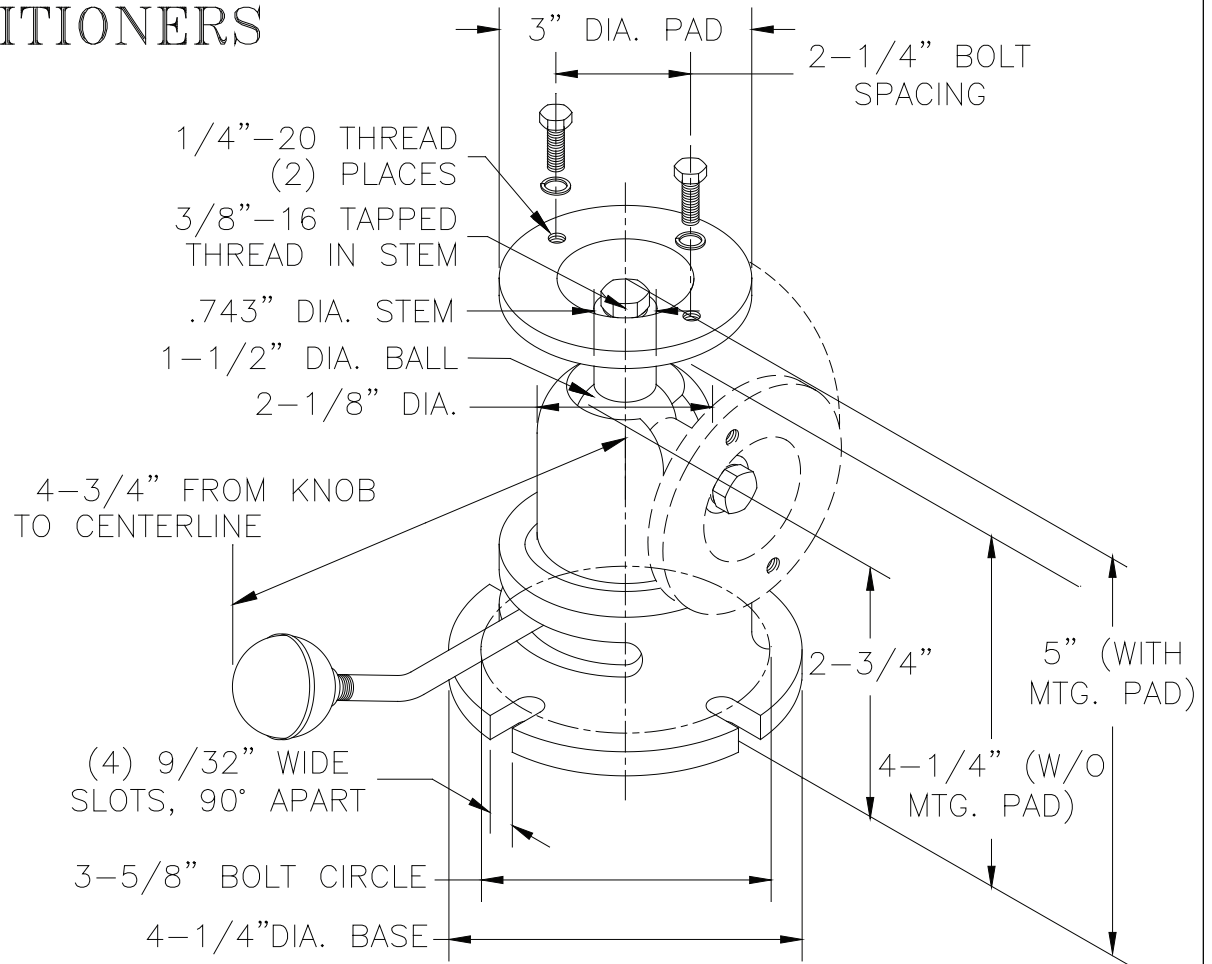
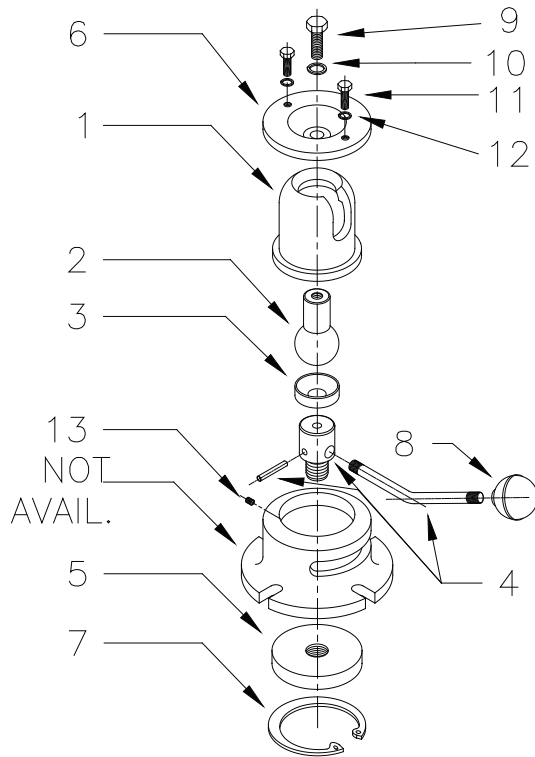


POW-R-ARM WORK POSITIONERS

Junior Model 343

Replacement Parts



WILTON JUNIOR MODEL 343

1	2010220	CROWN
2	2010251	SWIVEL BALL
3	2010561	PRESSURE PAD
4	2010860	LOCKING SCREW & HANDLE ASSEMBLY
5	2010231	BOTTOM PLATE
6	2010240	MOUNTING PLATE
7	9053521	RETAINING RING
8	2010711	KNOB

STANDARD HARDWARE ITEMS—PURCHASE LOCALLY

9	3/8"–16 X 3/4" LG. HEX.HD.CAPSCREW
10	3/8" INTERNAL TOOTH LOCK WASHER
11	1/4"–20 X 3/4" LG. HEX.HD.CAPSCREW (2)
12	1/4" FLAT WASHER (2)
13	#10–32 X 1/4" LG. SOCKET HEAD SET SCREW